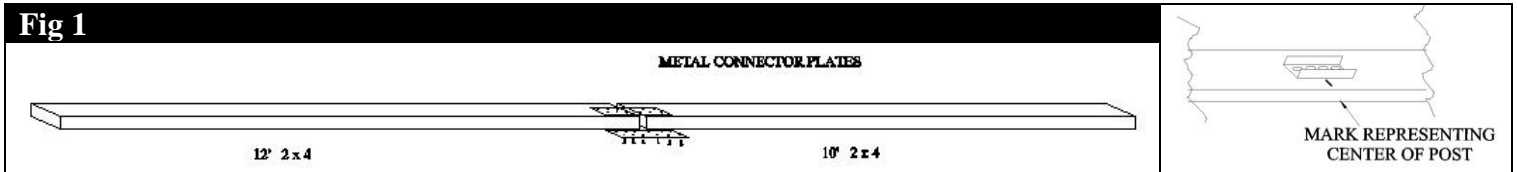


BAKKO BAK BORD

8' x 20' ECONOMY FLAT SERIES INSTRUCTIONS

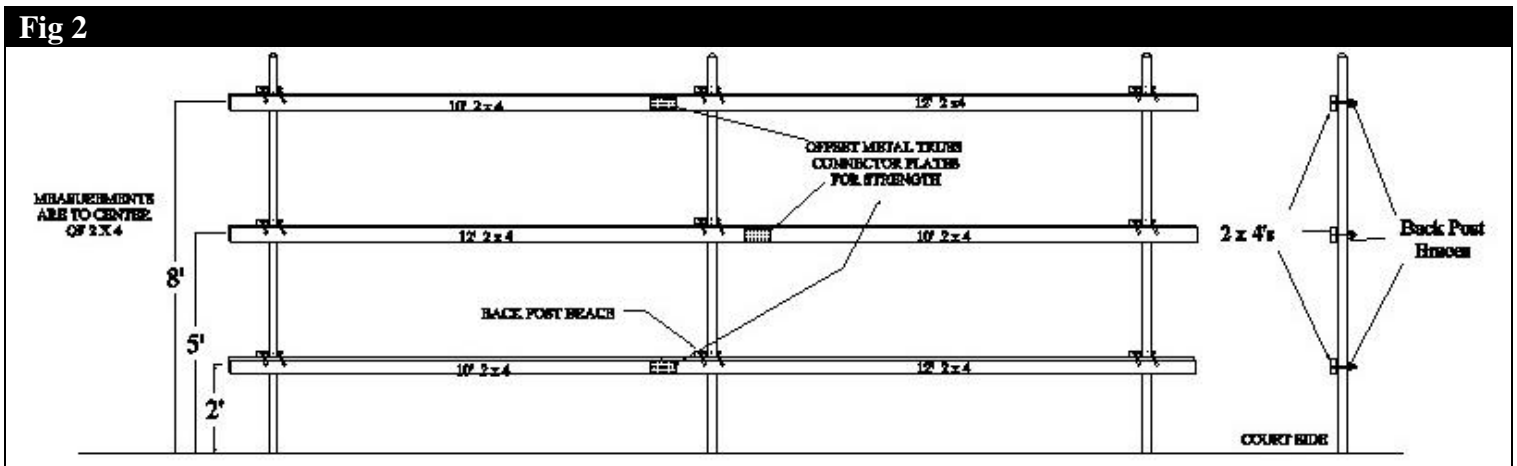
STEP ONE: Nail a ten and a twelve foot 2x4 together with metal truss plates on **BOTH SIDES**. Stagger nails to prevent splitting. Avoid nails in center of truss plates in case a bolt hole needs to be drilled through plate later. Repeat step to make three pressure treated 22' long 2x4's. (**Fig 1**)

Fig 1



Standard installation mounts backboard one foot off ground. Mount 2x4's to post by centering three 22' pressure treated 2x4's on three posts with 8" long bolts and back post braces, parallel above the ground 2', 5', and 8'. Measure from ground to center of each 2x4. (**Fig 1**) Turn middle 2x4 so truss joint is right of the center post. Top and bottom 2x4's have truss joints to the left of center post. (**Fig 2**) Hold one 2x4 against post in location to bolt it. On each 2x4, draw lines corresponding to center of each post. Using a back post brace as a guide, mark where bolts will go through middle of 2x4 on either side of post lines. Drill 7/16" holes at each of these marks. Use 2x4 as a template to drill 6 holes in other 2x4's. Insert 8" bolts through 2x4's, fence mesh and back post brace. Secure with washers and nuts. Tighten back post braces and 2x4's with bolts around posts. Cut off excess of bolts with hacksaw. (Extra long bolts provided to accommodate most diameter post) Mount three 22' 2x4's as described above and using **Fig.2** Check if 2x4's are level and plumb with a 4' level.

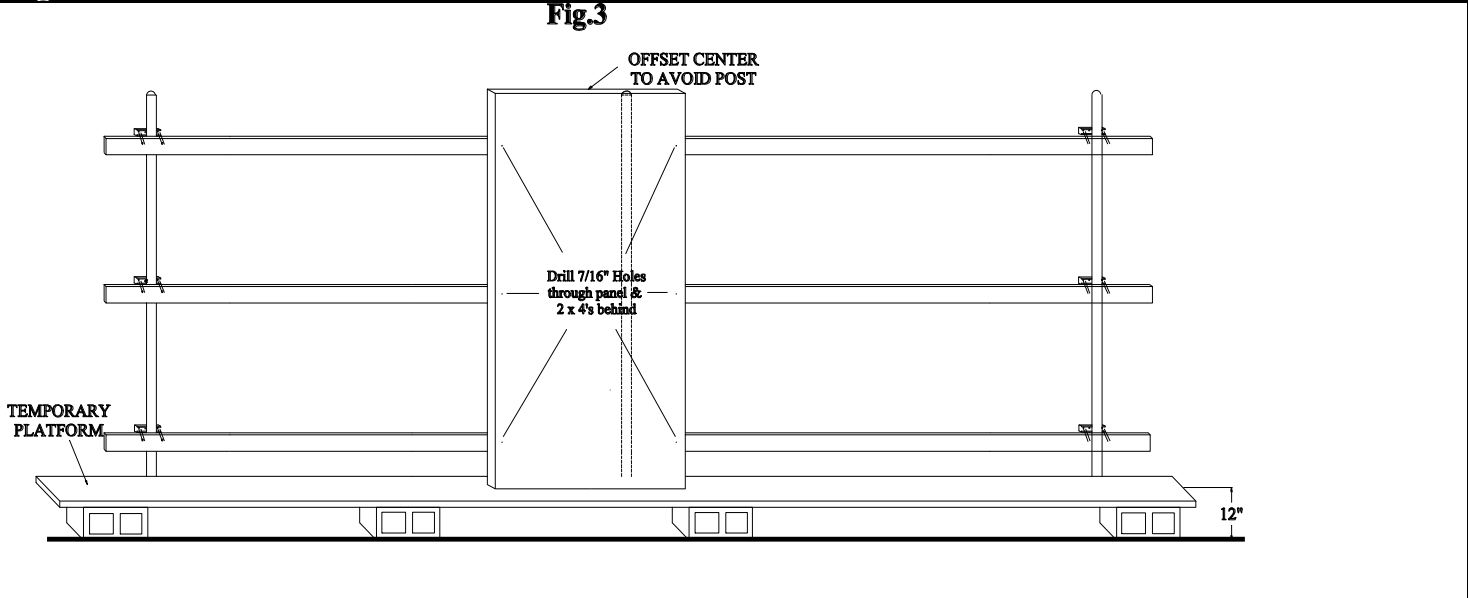
Fig 2



*Bakko Bak Bord strongly recommends building a temporary platform exactly one foot high-use cinderblocks and long flat wood boards-to set panels on when mounting. Platform simplifies installation and assembly from sagging under weight of panels. Sagging will not occur once panels are bolted in place. (**Fig 3**)*

STEP TWO: Plan ahead, positioning panels so bolts holding panels to 2x4's do not coincide with posts or back post braces. On a standard 10' post spacing, Bakko suggest placing the middle panel up first. Place panel on platform, center post should run down center of panel. Position center of panel 6-8" to the left or right of center post. Unless posts are unusually spaced, this avoids all three posts and back post braces. Hold flush against 2x4's mounted to posts. Use 4' level to check if panel is level and plumb. With naked eye judgment, drill 7/16" holes through front of panel face and 2x4 behind; at top, middle and bottom on both sides. (**1" inside edges of panel Fig 3**) Center holes to the middle of 2x4's assuring level panel. Insert 4" flat head 3/8" bolts through panel & 2x4's. Put washers & nuts on back. Gently snug up. Pound flat head bolts with large headed hammer and wood block (*Bakko recommends a rubber mallet*) just enough to lock into fiberglass front. Further tighten nut. Pounding and tightening allows bolt to snug in front and won't crack fiberglass. Avoid missing bolt and denting fiberglass front. **Do not use metal hammer on bolt heads, this will chip paint!**

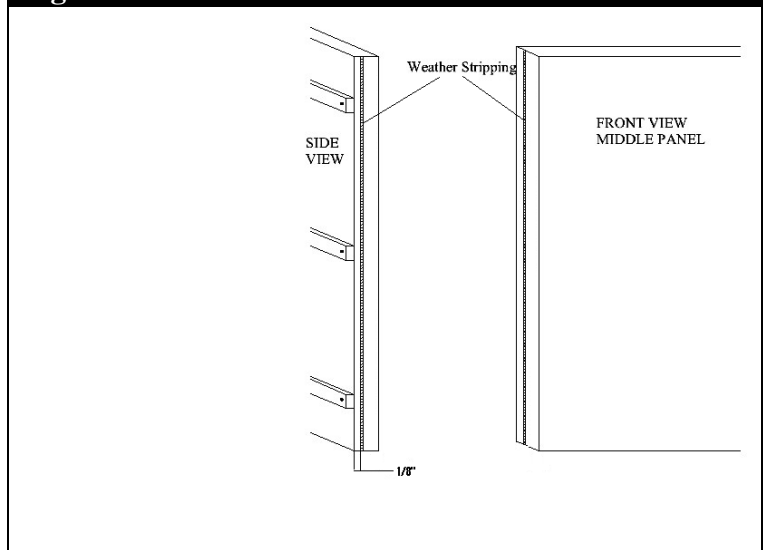
Fig 3



STEP THREE: Put weather stripping on **both** side edges of panel, from top to bottom, approximately 1/8" back from front edge of panel. (**Fig 4**)

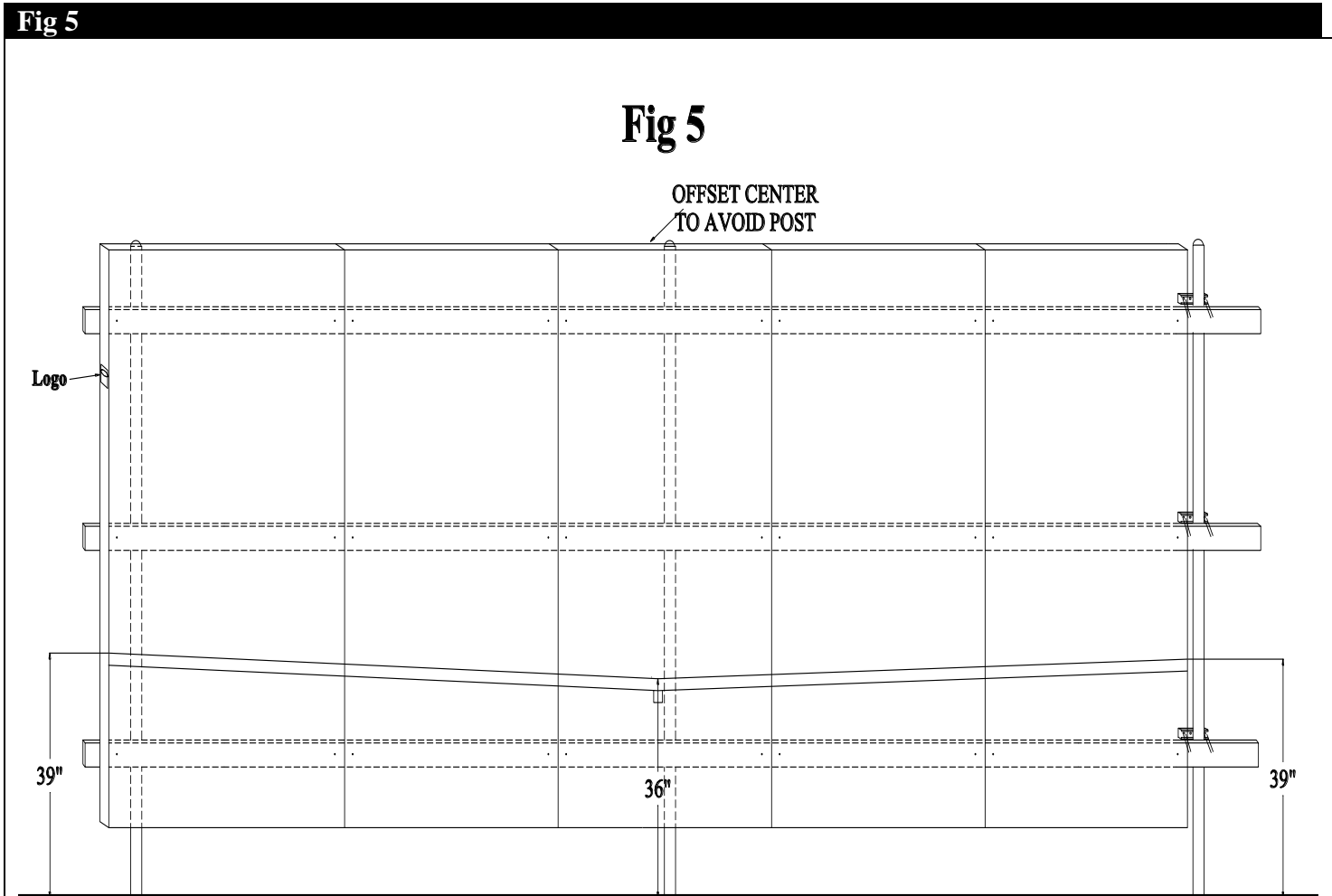
STEP FOUR: Place another panel right of first panel on platform. Have stronger of two men push panel against weather strip of first panel. Once panels are even and flush, drill holes. Insert and tighten bolts like first panel. Line free edge with weather strip. Now mount and bolt to 2x4's, one panel on each end of two inside panels.

Fig 4



STEP FIVE: Put white line on -- **PLEASE** -- it really adds class!! Wipe panels with a cloth, notably in line area. Put small pencil mark 36" above ground in exact center of middle panel. Similarly mark two end panels at 39". (Bakko recommends the use of a chalk line to connect inner and outer marks) This indicates top of tape line.(Fig. 5)

The white tape is a very expensive automotive trim tape. Applied properly it will last many years. There are **TWO LAYERS:** a thick back paper layer and thin white layer. Separate layers for one inch to assure identification. Pull off back layer while applying tape to the backboard. Pulling tape snug (do not over stretch, this will cause wavy line), apply to center mark and go to one edge. Remove back layer and apply tape carefully. Do not apply in a strong wind or high temperatures. Once at edge of backboard, cut tape. Rub top edge of tape with fingers or preferably a drivers license or credit card. Try to prevent air bubbles from forming. **Once on, do not try to remove tape!** (If air bubbles form, eliminate by making a small puncture with nail or knife tip. Iron air toward hole with finger. Repeat steps with the rest of the roll of tape to complete other side. Slice tape at joint of panels and fold between panels. Cut a 4" long piece of tape and apply vertically in the middle for a center strip. (Fig. 5) **If our instructions are clear and you like our product, reward us by applying our logo on edge of the new backboard.**



PARTS LIST 8' x 20' ECONOMY FLAT SERIES

- (5) 4' x 8' Fiberglass Panels**
- (3) 12' Pressure Treated 2 x 4's**
- (3) 10' Pressure Treated 2x4's**
- (1) Small Box of Hardware Containing:**

SMALL HARDWARE BOX:

- (30) 3/8" x 4" "Color Matched" Flat Head Carriage Bolts, Nuts & Washers
- (18) 3/8" x 8" Carriage Bolts, Nuts & Washers
- (9) Back Post Braces
- (1) 22' Roll White Trim Tape
- (1) Bak Bord Logo
- (2) Rolls Weather Stripping
- (6) Metal Truss Plates & Nails

TOOLS REQUIRED FOR INSTALLATION

- **CORDLESS DRILL OR ELECTRIC DRILL WITH LONG EXTENSION CORD TO REACH POWER WITH 7/16" BIT. BE VERY CAREFUL! DO NOT USE FAULTY EQUIPMENT OR WHEN WET, AVOID ELECTROCUTION!!!**
- **WRENCHES-- DEEP THROATED SOCKET WRENCH REALLY HELPS, 9/16"**
- **LARGE HAMMER & BLOCK OF WOOD**
- **2 LADDERS (put flat boards or cardboard under ladder feet to prevent damage to court)**
- **TAPE MEASURE**
- **LARGE SCREWDRIVER OR PRY BAR**
- **HACKSAW**
- **LONG FLAT BOARDS & CINDER BLOCKS (requirements for temporary platform)**
- **SCISSORS OR SHARP KNIFE**
- **4' LEVEL FOR PLUMBNESS OF 2 x 4's**
- **CLEAN CLOTH RAGS**

LABOR REQUIREMENTS

(2 MEN; ONE SMART, ONE STRONG, 3 HOURS)

ADDITIONAL INFORMATION

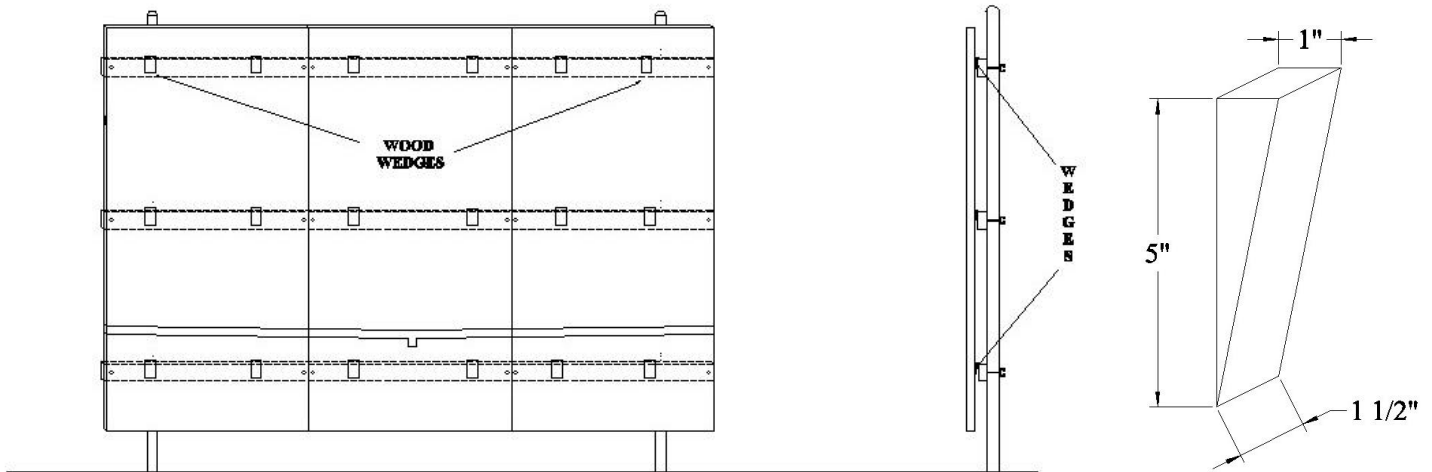
We suggest you hang a net or extend the fencing above your BAKKO BAK BORD to prevent miss hits from going over the fence.

Backboards of any kind are windscreens and should not be placed on flimsily built fences, especially those supported by "tubing" rather than standard weight (schedule 40) pipe as recommended in TENNIS COURTS published by the UNITED STATES TENNIS ASSOCIATION. We recommend these posts be a minimum 2&1/2" to 3&1/2" OD sunk in a concrete well 12" in diameter, 36" deep. Posts of this type, spaced 10' on center, usually provide quite adequate support.

Should your panels become damaged, they can be patched or completely painted with IMRON paint, color # 7666, sold by DuPont Nemours & Co. – a DuPont distributor. Deep panel injury requires a fiberglass experienced repair technician. Call us if further help is needed.

SUPPLEMENT INSTRUCTIONS FOR ECONOMY SERIES

If you feel the backboard is too loud for your area, appropriate sized wooden wedges may be cut and inserted between 2x4's and panel backs to reduce vibration noise. Cut wooden wedges to dimensions specified below. Place wedges between 2x4's and panel backs as shown. More wood wedges will decrease vibration (noise). Drive wedges down carefully from behind fence mesh. Do not drive wedges too far causing panels to bulge.



Use caution when selecting preferred fence location. In the sun belt, the backboard should not face the West due to intense sun. This probably will accelerate aging of panel surface and paint. Ideally the panels should be at right angles to the path of the sun so during practice a player never directly looks into the sun. If placed on a tennis court end, the white lines of the court may be used as practice reference points/lines.

