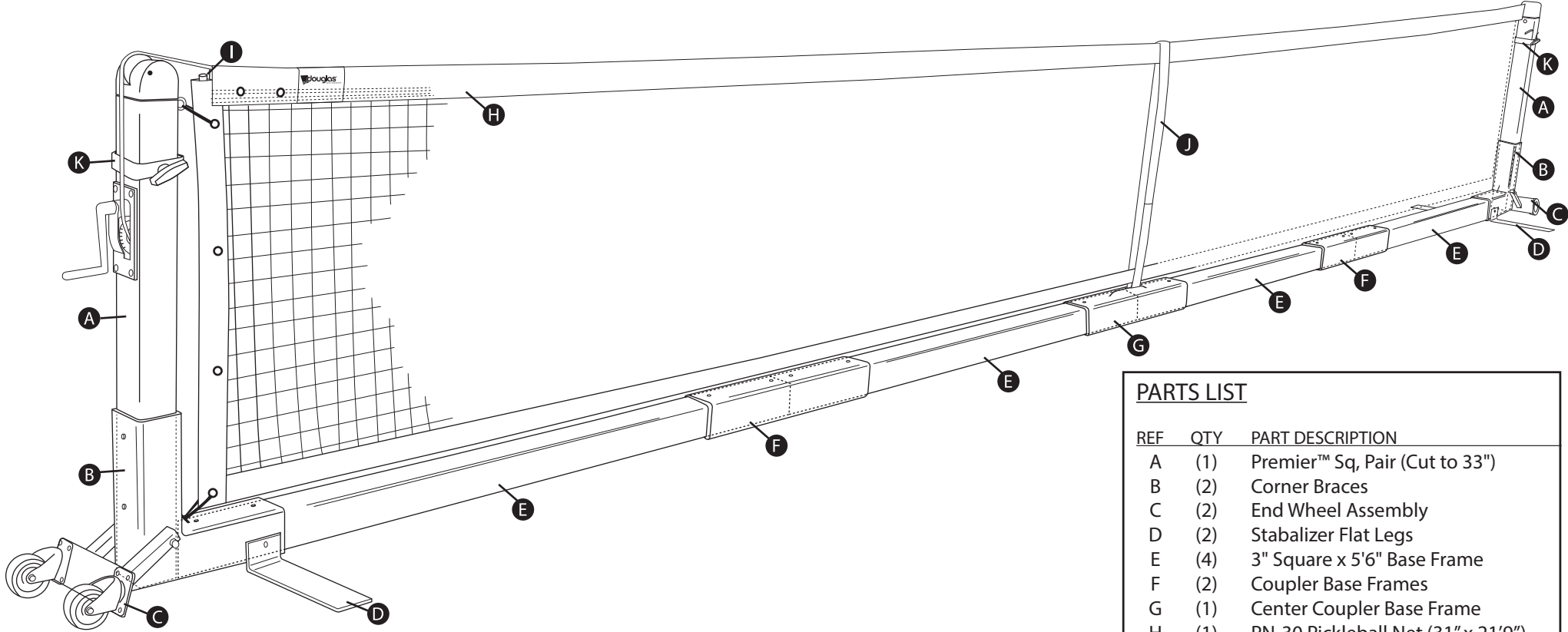


Douglas® PPS-22SQ
Premier™ Portable Pickleball, 3' x 22'

Item # 63122



PARTS LIST

REF	QTY	PART DESCRIPTION
A	(1)	Premier™ Sq, Pair (Cut to 33")
B	(2)	Corner Braces
C	(2)	End Wheel Assembly
D	(2)	Stabalizer Flat Legs
E	(4)	3" Square x 5'6" Base Frame
F	(2)	Coupler Base Frames
G	(1)	Center Coupler Base Frame
H	(1)	PN-30 Pickleball Net (31" x 21'9")
I	(2)	Dowels
K	(2)	Lift Assist Handles

Hardware Bag:

J	(1)	Velcro Center Strap
	(6)	Extra Screws
	(6)	Tie Wraps
	(1)	3/16" Allen Wrench (for Set Screws)

Inside Take-up Post:

	(1)	Hardware Handle
	(4)	Eyebolts

TOOLS NEEDED (NOT PROVIDED)

9/16 Wrench or Socket
Tape Measure

Douglas® PPS-22SQ Premier™ Portable Pickleball, 3' x 22'

Item # 63122

FRAME INSTALLATION

STEP 1

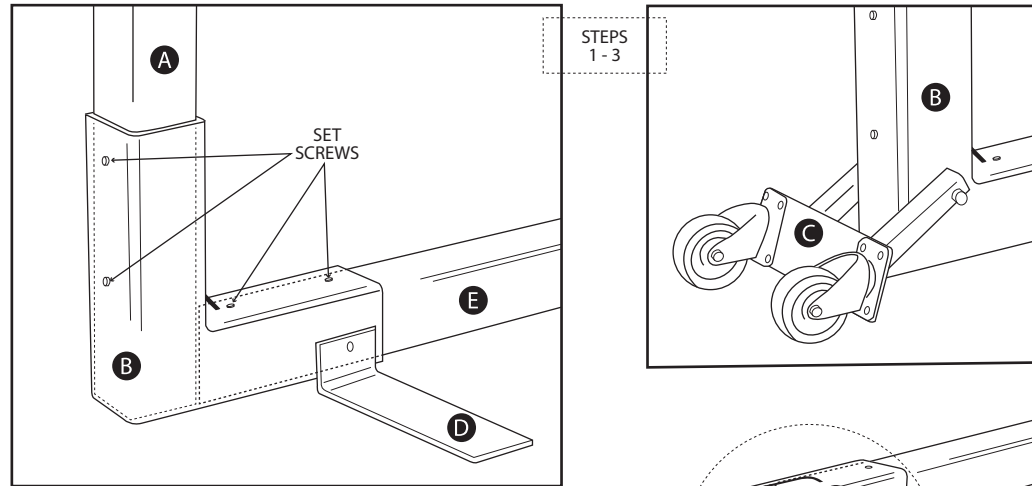
Lay out all parts as shown in drawing; start by attaching Stabilizer Legs (Ref. D) to Corner Braces (Ref. B)

STEP 2

Insert the vertical end posts (Ref. A), into the corner braces (Ref. B). Vertical end posts should drop all the way down to ground level inside the corner brace.

STEP 3

Attach and secure wheel assemblies to the corner braces with a 9/16 wrench.



STEPS 4 & 5

STEP 4

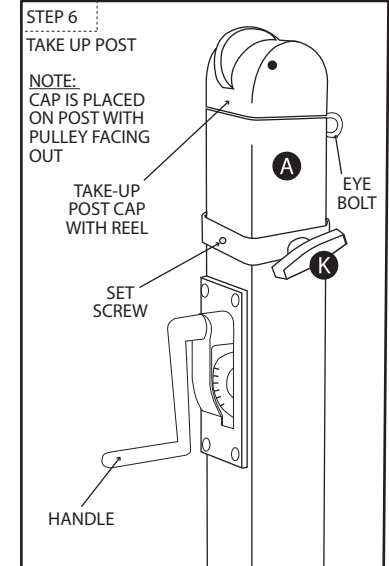
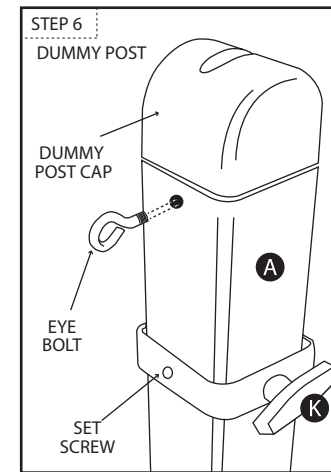
Assemble bottom frame by sliding together all (4) bottom frame pieces (Ref. E) using coupler pieces (Ref. F,G) in layout as shown in drawing. There should be no gaps between bottom pieces. Full length should be 22' once assembled. (Inside of Post to Inside of Post)

STEP 5

Tighten all pre-attached set screws with provided allen wrench to secure framework into place. (Extra set screws are included in hardware bag in case any are missing from frame)

STEP 6

Slide the lift assist handles (Ref. K) over each post about 3" down from post caps. Tighten the pre-attached set screws on the handle sleeve with the provided allen wrench. Handles should be on the sides of the pickleball posts. Screw the (2) provided Eyebolts into the threaded hole at top of each vertical post. Note: The eyebolts and handle are located in a bag inside of the take up post. ******(2) extra eyebolts are included.



NOTE:
All base frame pieces
should touch
inside couplers

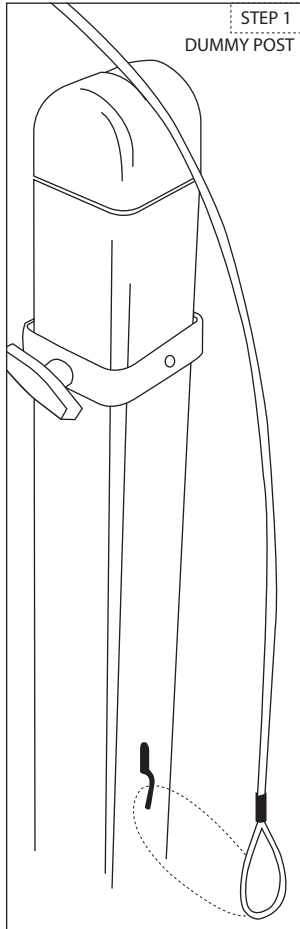
Douglas® PPS-22SQ Premier™ Portable Pickleball, 3' x 22'

Item # 63122

NET INSTALLATION:

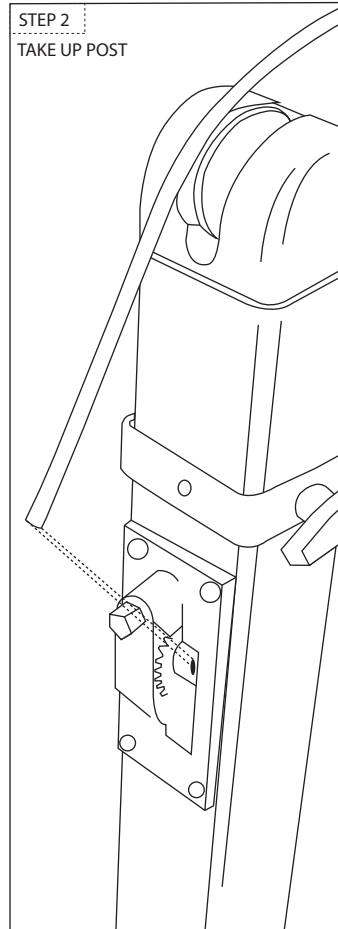
STEP 1

On the Dummy post, Attach the "Loop" end of the cable to the hook. NOTE: Make sure to hold onto the opposite "cut end" of the cable so that it does not get pulled into the net headband.



STEP 2

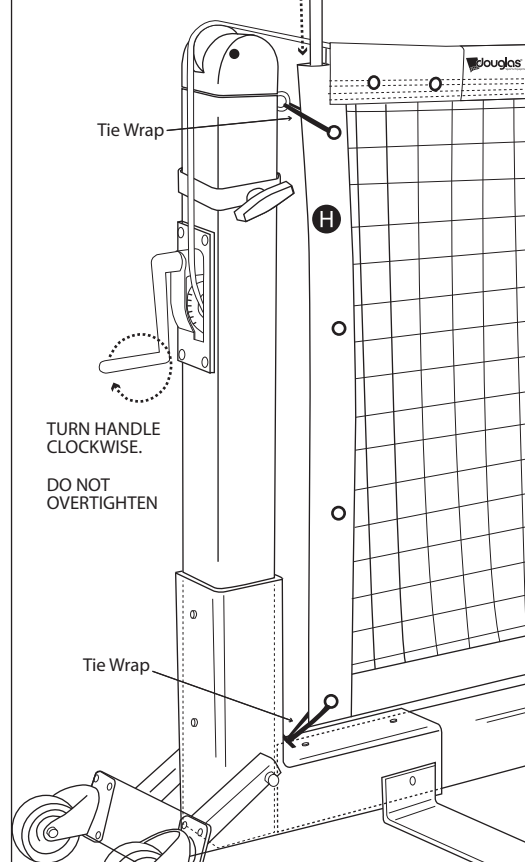
On the Take-up Post; bring the cable over the pulley on top of the post, down the side, and insert the cut end into the gear hole. Use provided chrome handle to start cranking the net up.



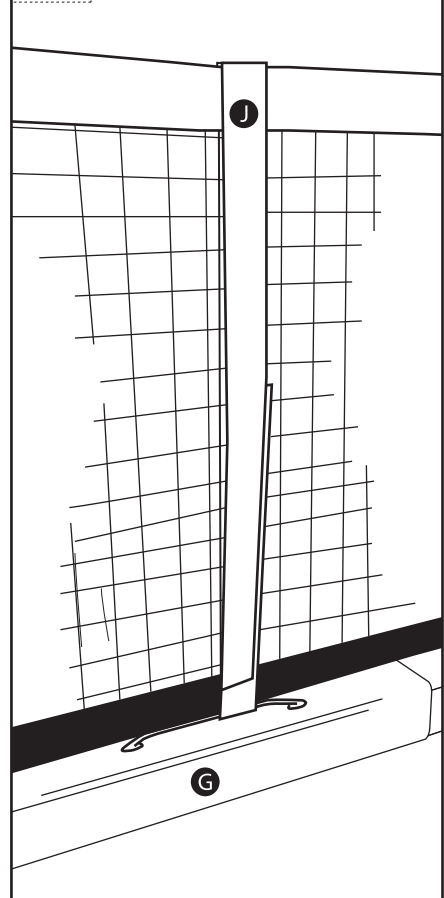
STEP 3

Insert provided dowels through the end side tapes of net.

STEPS 2 - 4 TAKE UP POST



STEP 5



STEP 4

Use (4) total Tie Raps to attach the top of the net to the Eyebolts, and bottom of the net to corner bars on bottom of frame. NOTE: Optional lacing cord is provided if desired in lieu of tie raps.

STEP 5

Install center strap over the net and secure to Center Coupler (Ref. G). NOTE: Chrome loop snap is preinstalled on strap, but should be removed prior to installation, as attaching directly to coupler looks cleaner. Adjust strap so that the center of the net sits at 34".