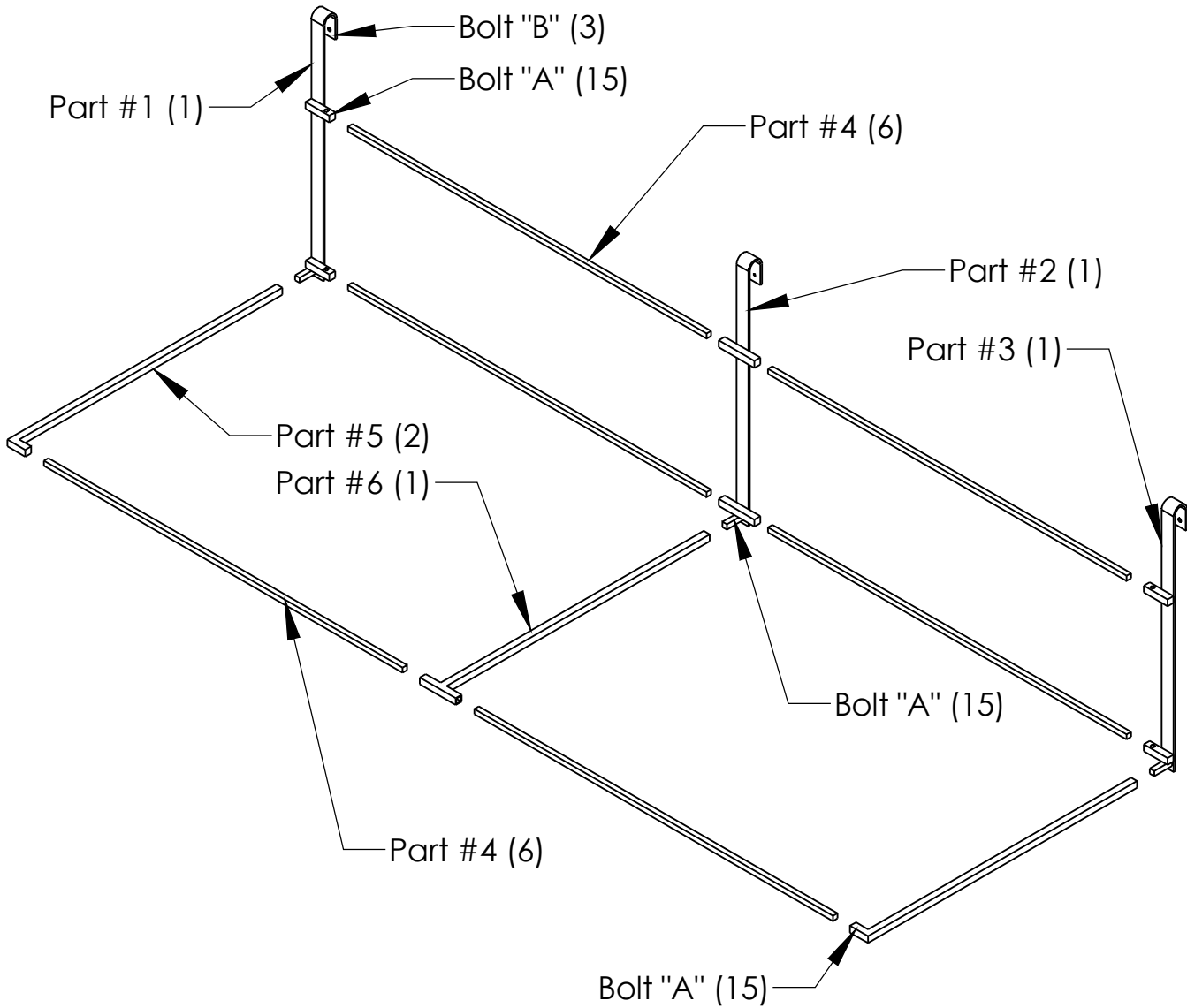


# Fence Cabana



Piece	Qty.	Description
Part #1	1	Left Handed Fence Bracket (1-1/2" x 38")
Part #2	1	Center Fence Bracket (1-1/2" x 38")
Part #3	1	Right Handed Fence Bracket (1-1/2" x 38")
Part #4	6	Square Tube (3/4" x 5')
Part #5	2	Square Right-Angle Tube (1" x 3'8")
Part #6	1	Square T-Angle Tube (1" x 3'8")
Part #7	1	Canvas Cover
Bolt "A"	15	1/4" x 1-1/4" Carriage Bolt With Nut and Washers
Bolt "B"	3	1/4" x 3" Carriage Bolt With Nut and Washers



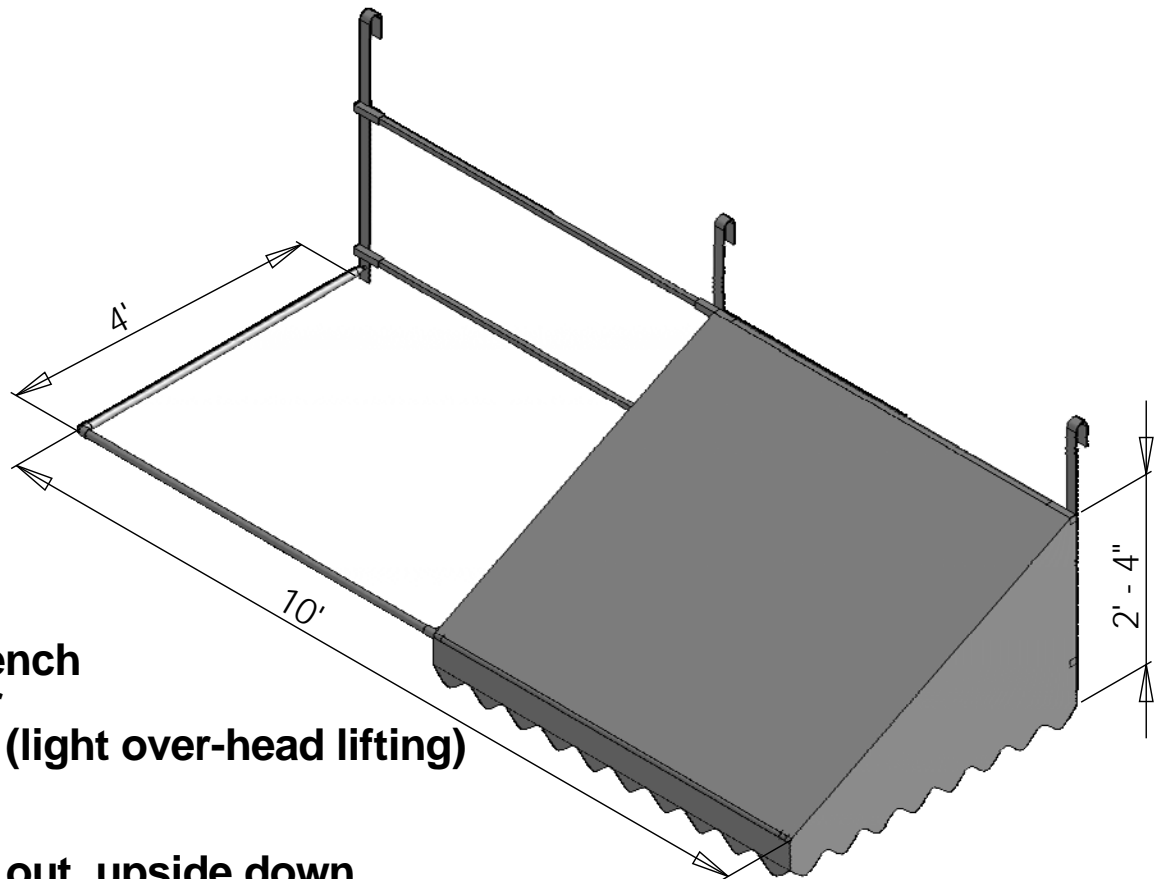
P.O. BOX 101057  
 DENVER, CO 80250  
 303-744-2647  
 1-800-915-9862

SCALE 1:20

SHEET 1 OF 2

**PROPRIETARY AND CONFIDENTIAL**  
 THE INFORMATION CONTAINED IN THIS  
 DRAWING IS THE SOLE PROPERTY OF  
 SUNTRENDS INC. ANY  
 REPRODUCTION IN PART OR AS A WHOLE  
 WITHOUT THE WRITTEN PERMISSION OF  
 SUNTRENDS INC. IS  
 PROHIBITED.

# Fence Cabana - Installation



## Tools Needed

1. Ratchet/Wrench
2. Step Ladder
3. Two People (light over-head lifting)

## Instructions

1. Roll canvas out, upside down.
2. Insert two Parts #4 (square tubes) into canvas pockets at top of canvas and turn canvas right-side up.
3. Insert 4 of Parts #4 (square tubes) into the square sleeves of Parts #1, #2, #3 (Fence Brackets) and secure with Bolt "A".  
\*Note - Top two Parts #4 should already be placed in canvas pocket before securing to fence bracket.
4. With two people, lift the fence brackets (Parts #1, #2, #3) and hook them into the top rail of the fence.  
\*Note - Canvas should be hanging from top of square tubes.
5. Secure fence brackets hooks in place using Bolt "B"
6. Insert all 3 parts (Parts #5, #6) into square sleeves at bottom of fence brackets and secure with Bolt "A".
7. Insert two Parts #4 (square tubes) into square sleeves at end of Parts #5, #6 and secure with Bolt "A".
8. With frame in place, pull canvas over corners of frame and secure with rope.  
\*Note - Be sure to pull canvas taught when lacing the rope through the grommets.
9. At top and bottom of canvas, use ty-wraps to secure corners of the canvas to fence bracket.
- 10 Use ty-wraps to secure lower rail (Part #4) to fence.