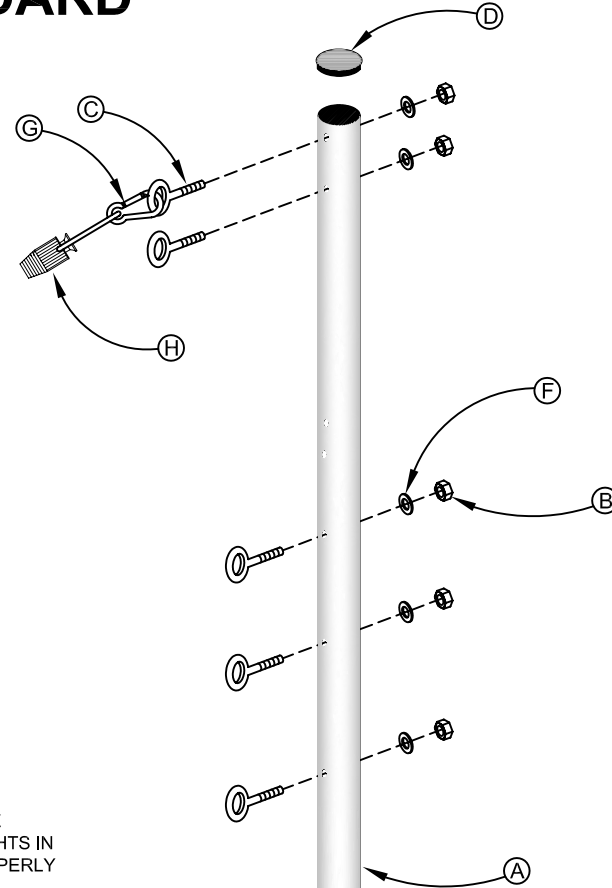


OUTDOOR STANDARD

ITEM	DESCRIPTION	QTY
A	UPRIGHT	1 PR
B	LOCKNUT .375	10 EA
C	WELDED EYE BOLT .375 X 2.5	10 EA
D	CAP	2 EA
E	GROUND SLEEVE	1 PR
F	FLAT WASHER .312	10 EA
G	SNAP LINK .312	4 EA
H	NET TENSIONER	1 EA
I	NET (NOT SHOWN)	1 EA
J	VOLLEYBALLS (NOT SHOWN)	6 EA



DIG HOLES IN DESIRED LOCATION 12" TO 15" DIAMETER BY 30" DEEP. POUR CONCRETE AND SET GROUND SLEEVES IN SO THEY ARE FLUSH WITH GROUND LEVEL. SET UPRIGHTS IN GROUND SLEEVES, PLUMB AND SUPPORT IN PLACE. ALLOW CONCRETE TO CURE PROPERLY BEFORE USING.

NOTE: WINCH AND EYEBOLTS GO INWARD TOWARD THE CENTER OF THE COURT.

⚠ WARNING ⚠

Participation in athletics, recreation and related activities involve varying degrees of accidental injury risks, up to and including those with life threatening potential. Under no circumstances should equipment used for these aforementioned activities be altered, tampered with, or used when damaged. Such equipment should **NEVER** be used without direct adult supervision and only after examination for damage, wear, proper function and general stability, nor should it be employed for any activity other than that for which it was specifically intended. Such equipment should **NEVER** be setup, or moved by children. Participants should always know or be made specifically aware of the risks involved in the activity they are participating in as well as their own physical limitations and that of the equipment being used.

Z300CUSTMR - 1

WARNING

USE OF THIS EQUIPMENT WHEN IMPROPERLY INSTALLED CAN RESULT IN SERIOUS INJURIES DO NOT USE WITHOUT PROPER INSTRUCTION AND SUPERVISION OR IF ANY PARTS ARE WORN OR MISSING. CONTACT MANUFACTURER FOR ADDITIONAL INFORMATION.

Z300300B/Y

