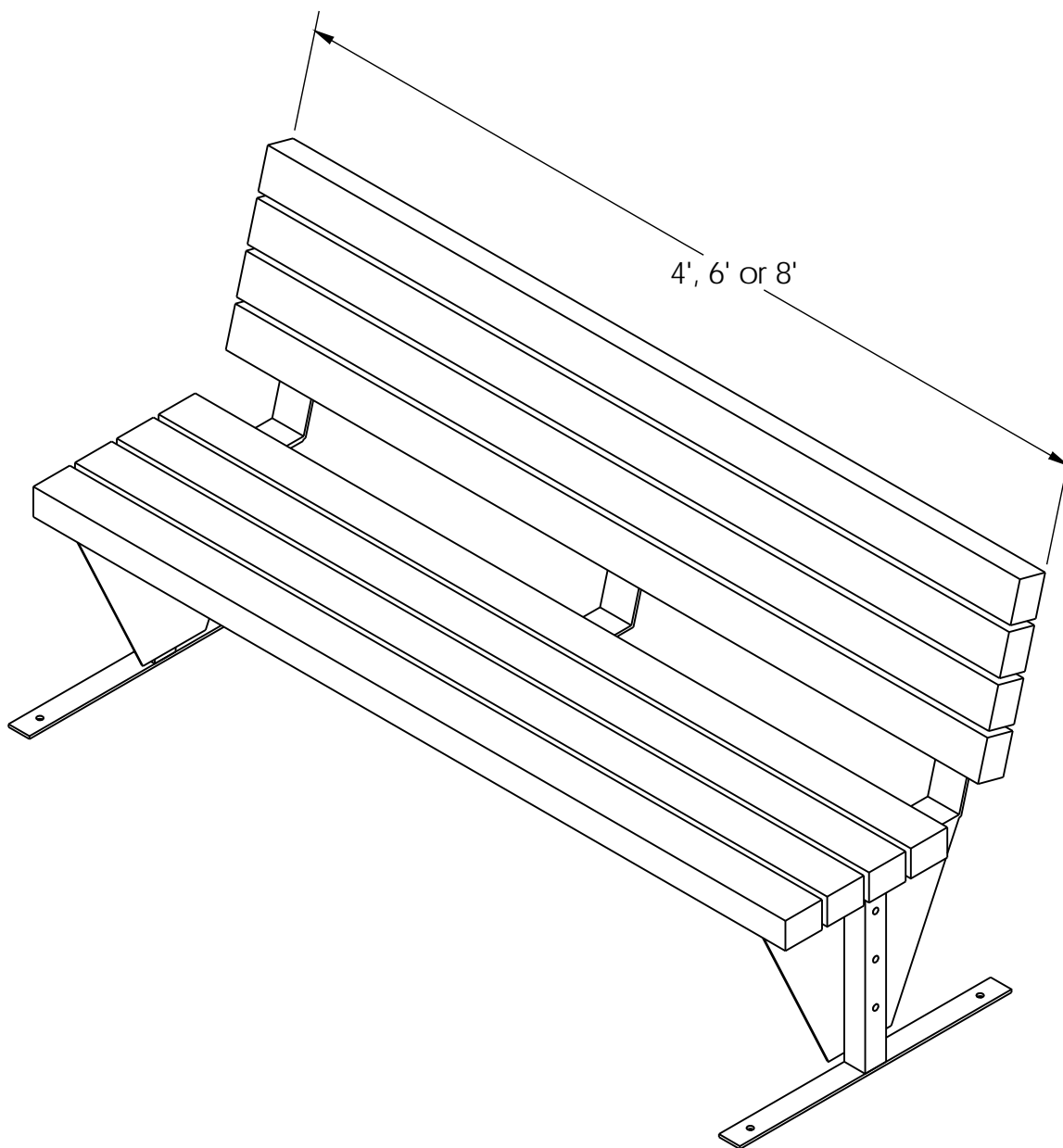


4', 6' or 8' Bench with Backrest - Surface Mount



PROPRIETARY AND CONFIDENTIAL
THE INFORMATION CONTAINED IN THIS
DRAWING IS THE SOLE PROPERTY OF
SUNTRENDS INC. ANY
REPRODUCTION IN PART OR AS A
WHOLE WITHOUT THE WRITTEN
PERMISSION OF SUNTRENDS INC. IS
STRICTLY PROHIBITED.

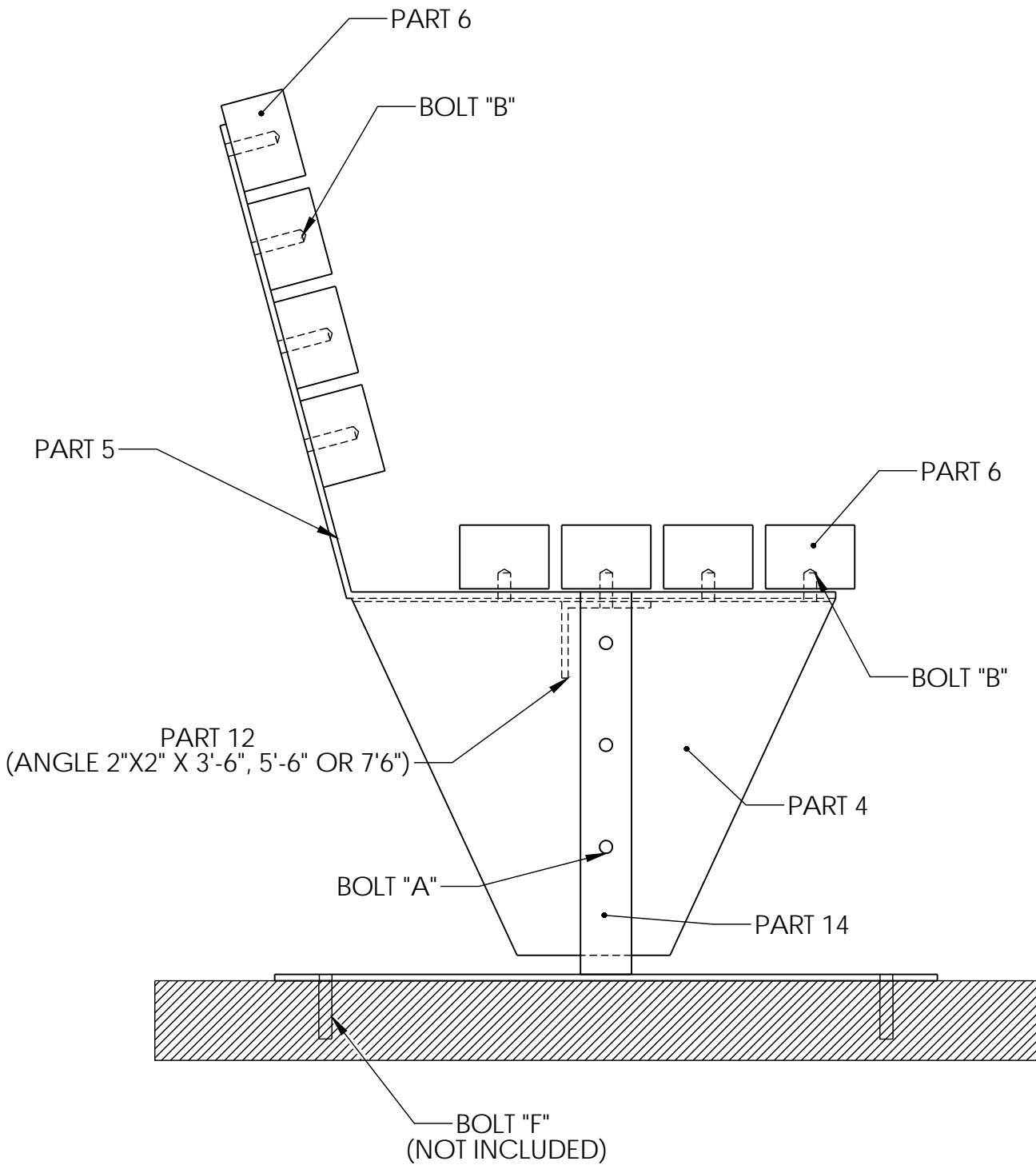
ISOMETRIC VIEW

P.O. BOX 101057
DENVER, CO 80250
303-744-2647

SCALE 1:14

SHEET 1 OF 5

4', 6' or 8' Bench with Backrest - Surface Mount



SIDE VIEW

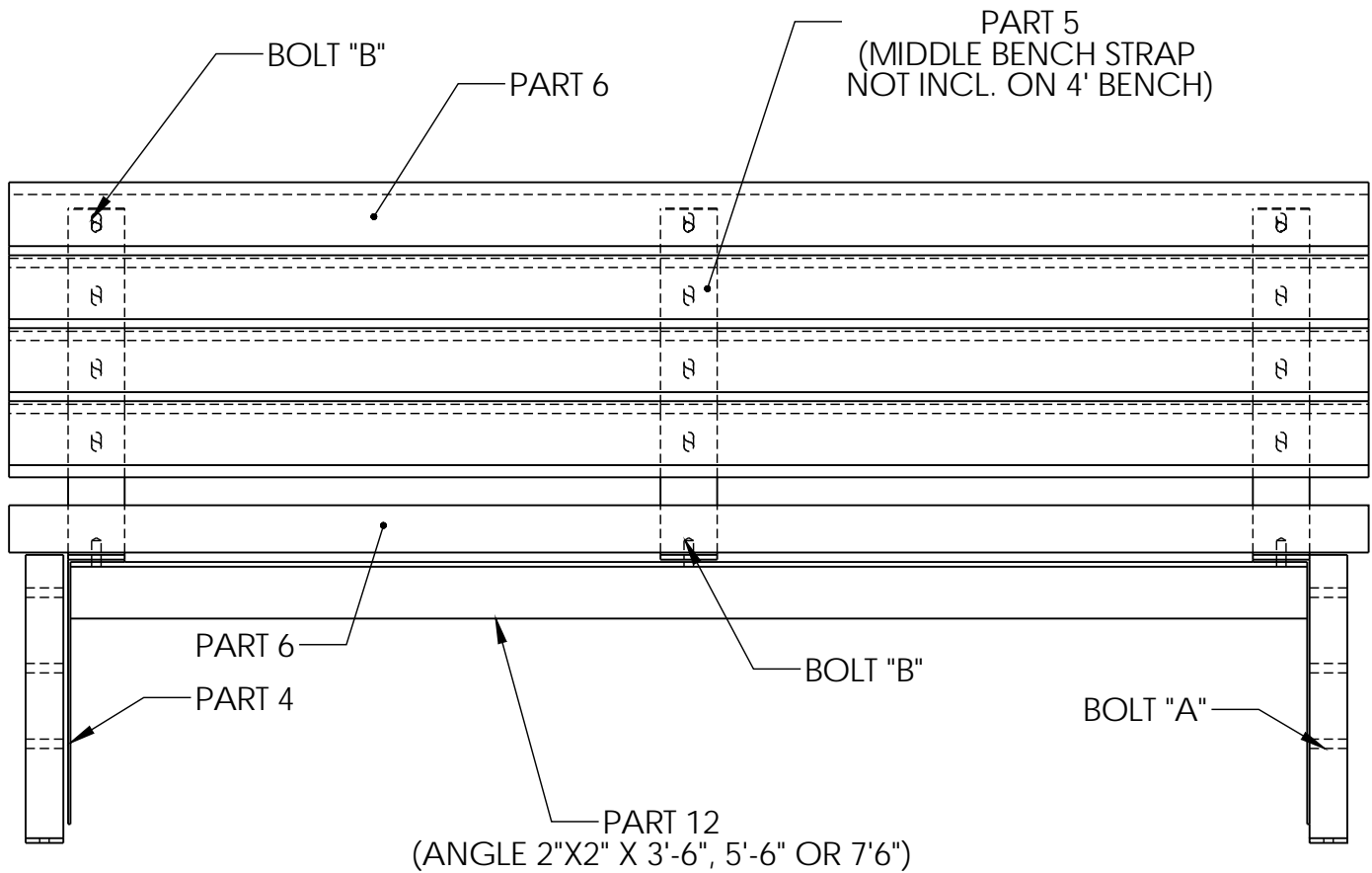
PROPRIETARY AND CONFIDENTIAL
THE INFORMATION CONTAINED IN THIS
DRAWING IS THE SOLE PROPERTY OF
SUNTRENDS INC. ANY
REPRODUCTION IN PART OR AS A
WHOLE WITHOUT THE WRITTEN
PERMISSION OF SUNTRENDS INC. IS
STRICTLY PROHIBITED.

P.O. BOX 101057
DENVER, CO 80250
303-744-2647

SCALE 1:14

SHEET 1 OF 5

4', 6' or 8' Bench with Backrest - Surface Mount



PROPRIETARY AND CONFIDENTIAL
 THE INFORMATION CONTAINED IN THIS
 DRAWING IS THE SOLE PROPERTY OF
 SUNTRENDS INC. ANY
 REPRODUCTION IN PART OR AS A
 WHOLE WITHOUT THE WRITTEN
 PERMISSION OF SUNTRENDS INC. IS
 STRICTLY PROHIBITED.

FRONT VIEW

P.O. BOX 101057
 DENVER, CO 80250
 303-744-2647

SCALE 1:14

SHEET 1 OF 5

Installation Guidelines

Bench with Backrest (4', 6' and 8')

Tools Needed: Ratchet set, wrenches (Roto-hammer needed for optional expansion bolts)

Step 1: Posts, Seat Plates & Angle Iron

Attach the (2) seat plates (Part #4) and (1) angle iron (Part #12) to the inside face of the (2) posts (Part #14) with bolts "A".

Step 2: Durawood Bench Slats

Sandwich the bent bench straps (Part #5) between seat plates (Part #4) and Durawood slats (Part #6) and secure with lag bolts "B" (*Note – Bolt "B" will travel through the angle iron (Part #12), seat plate (Part#4), bent bench strap (Part#5) and into the Durawood slat (Part#6) in that sequence). Sand which the center bent bench strap (Part #5), at center of bench, between angle iron (part #12) and Durawood slats (Part #6) and secure from the bottom with Bolt "B"

*Note – Center strap will rest on top of angle iron.

Step 3: Miscellaneous

Use can of black spray (semi gloss) paint to touch up scratches from shipping or erection.

PART AND BOLT SCHEDULE - BACKREST BENCH

NUMBER	QUANTITY	DESCRIPTION
4	2	STEEL SEAT PLATE
5	3	3" X 38" X 1/4" BENT STEEL BENCH STRAP
6	8	3" X 4" NOMINAL DURAWOOD PLASTIC SLATS
12	1	2" X 2" ANGLE
14	2	3" X 3" POST WITH LEG
"A"	6	3/8" X 3.1/2" HEX HEAD BOLT W/ NUT & WASHER
"B"	24	3/8" X 2" HEX HEAD LAG SCREW W/ WASHER (ONLY QUANT. 16 FOR 4' BENCH)
"F"	4	1/2" X 3.1/2" EXPANSION BOLT (OPTION) NOT INCL.