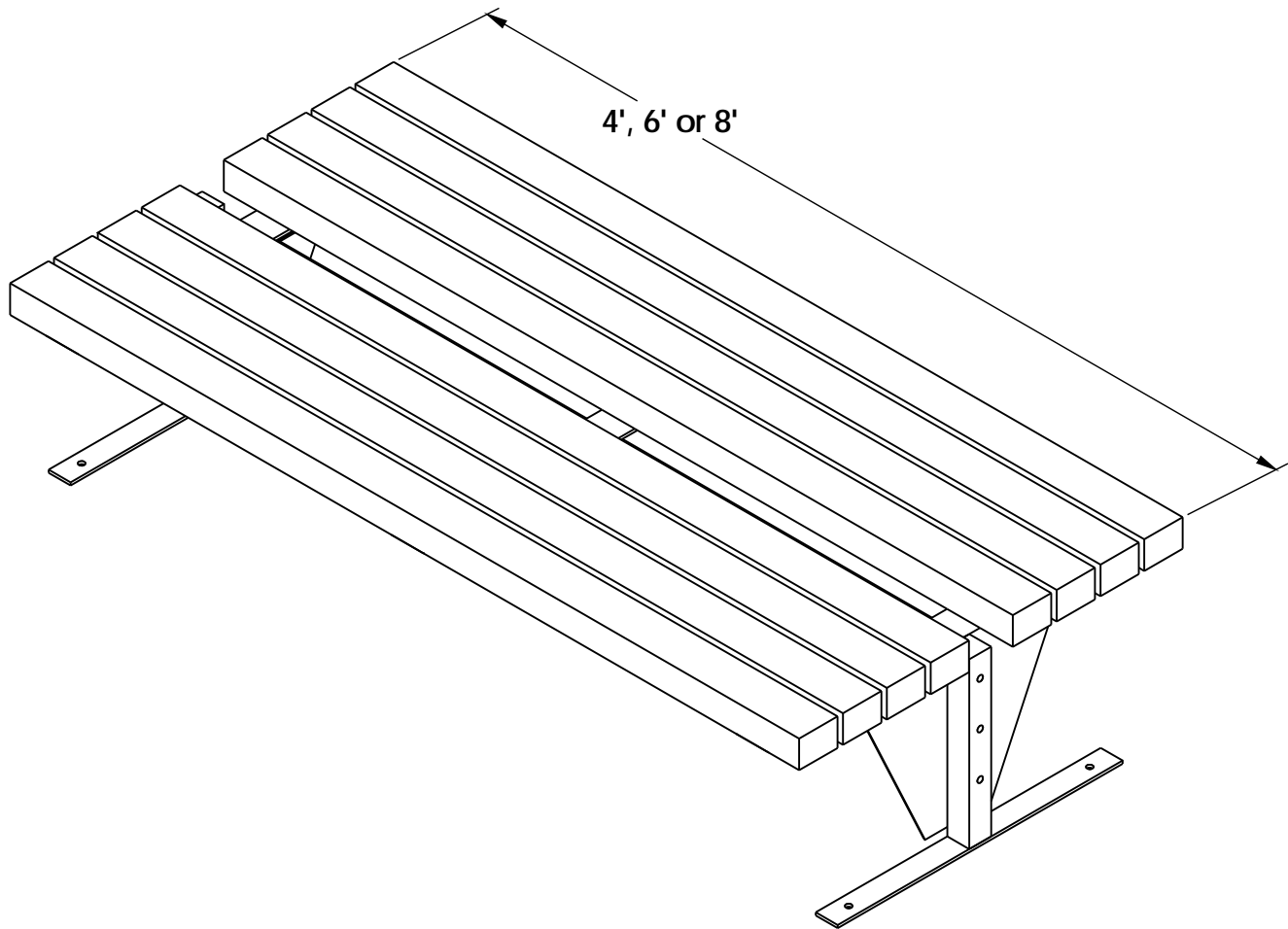


# 4', 6' or 8' Double-Sided Bench - Surface Mount



## ISOMETRIC VIEW

**PROPRIETARY AND CONFIDENTIAL**

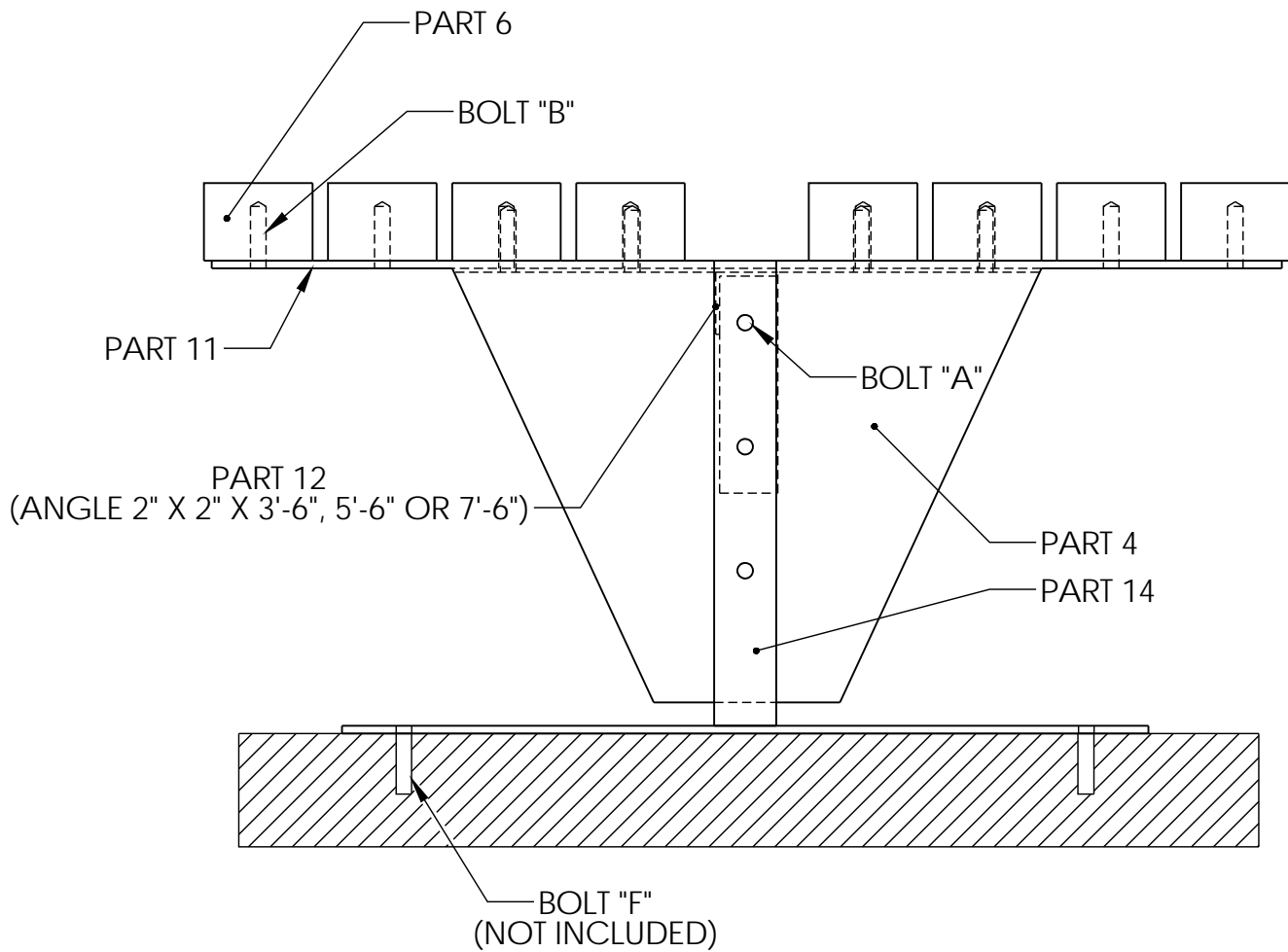
THE INFORMATION CONTAINED IN THIS DRAWING IS THE SOLE PROPERTY OF SUNTRENDS INC. ANY REPRODUCTION IN PART OR AS A WHOLE WITHOUT THE WRITTEN PERMISSION OF SUNTRENDS INC. IS PROHIBITED.

P.O. BOX 101057  
DENVER, CO 80250  
303-744-2647

SCALE 1:14

SHEET 1 OF 5

# 4', 6' or 8' Double-Sided Bench - Surface Mount



## SIDE VIEW

### PROPRIETARY AND CONFIDENTIAL

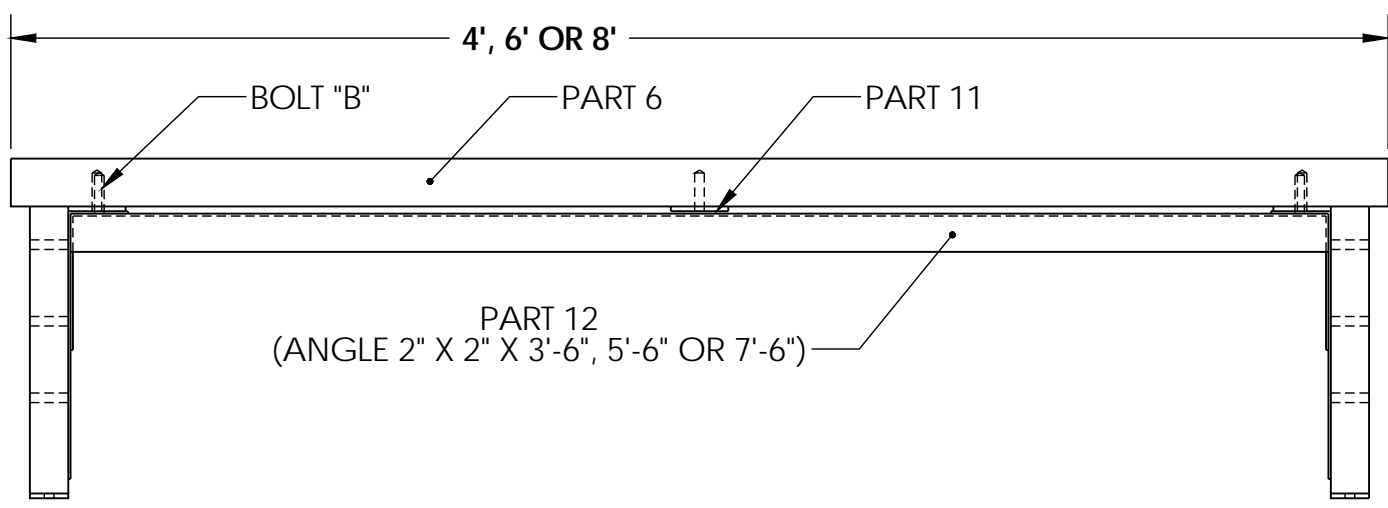
THE INFORMATION CONTAINED IN THIS DRAWING IS THE SOLE PROPERTY OF SUNTRENDS INC. ANY REPRODUCTION IN PART OR AS A WHOLE WITHOUT THE WRITTEN PERMISSION OF SUNTRENDS INC. IS PROHIBITED.

P.O. BOX 101057  
DENVER, CO 80250  
303-744-2647

SCALE 1:14

SHEET 1 OF 5

# 4', 6' or 8' Double-Sided Bench - Surface Mount



**FRONT VIEW**

**PROPRIETARY AND CONFIDENTIAL**

THE INFORMATION CONTAINED IN THIS DRAWING IS THE SOLE PROPERTY OF SUNTRENDS INC. ANY REPRODUCTION IN PART OR AS A WHOLE WITHOUT THE WRITTEN PERMISSION OF SUNTRENDS INC. IS PROHIBITED.

P.O. BOX 101057  
DENVER, CO 80250  
303-744-2647

SCALE 1:14

SHEET 1 OF 5

# Installation Guidelines

## Two Sided Bench (4', 6' and 8')

**Tools Needed:** Ratchet set (Roto-hammer needed for optional expansion bolts)

### **Step 1: Seat Plates**

Attach the (2) seat plates (Part #4) to the inside face of the 3"x3" posts (Part #14) with bolts "A".

### **Step 2: Angle iron**

Attach (1) 2"x2" angle (Part #12) under seat plates (Part #4) with bolt "C".  
**Note:** Angle to be located between posts at center of seat plate

### **Step 3: Bench Straps and Durawood Slats**

Sandwich the (2) end bench straps (Part #11) between seat plates (Part #4) and Durawood slats (Part #6) and secure with lag bolts "B" (\*Note – Bolt "B" will travel through seat plate (Part#4), bench strap (Part#11) and into the Durawood slat (Part#6) in that sequence). The middle bench strap to be placed on top of angle (Part #12), attached with bolt "C", and secured to center of Durawood slats with lag bolts "B"

### **Step 4: Miscellaneous**

Use a can of black spray (semi gloss) paint to touch up scratches from shipping or erection (paint not included)

## PART AND BOLT SCHEDULE - TWO SIDED BENCH

NUMBER	QUANTITY	DESCRIPTION
4	2	STEEL SEAT PLATE
11	3	3" X 35 1/2" X 1/4" STEEL BENCH STRAP
6	8	3" X 4" NOMINAL DURAWOOD PLASTIC SLATS
12	1	2" X 2" ANGLE
14	2	3" X 3" POST WITH LEG
"A"	6	3/8" X 3.1/2" HEX HEAD BOLT W/ NUT & WASHER
"B"	24	3/8" X 2" HEX HEAD LAG SCREW W/ WASHER (ONLY QUANT. 16 FOR 4' BENCH)
"C"	3	3/8" X 1" HEX HEAD BOLT W/ NUT & WASHER
"F"	4	1/2" X 3.1/2" EXPANSION BOLT (OPTION) NOT INCL.